

Technical data sheet



Product features

Pasta cooker		
Model	SAP Code	00015075
VT 60 EL 6 kW	A group of articles - web	Pasta cookers and Bain Marine



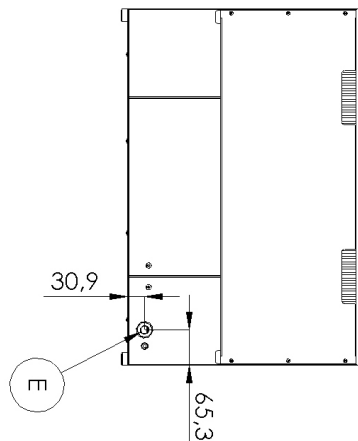
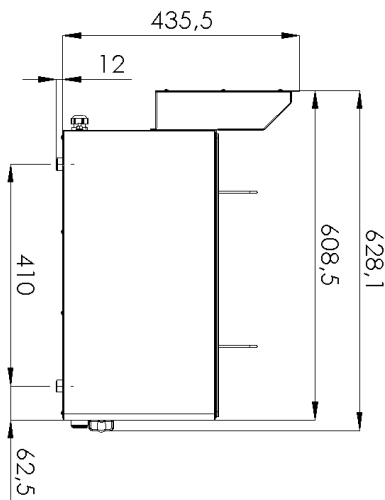
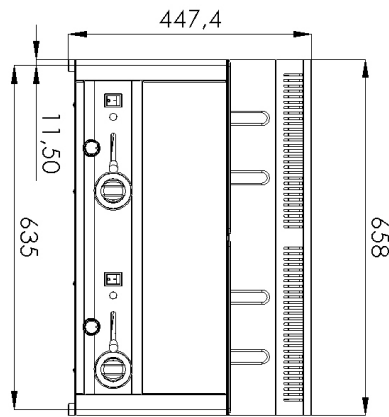
SAP Code	00015075	Net Weight [kg]	16.00
Net Width [mm]	658	Power electric [kW]	6.000
Net Depth [mm]	609	Loading	400 V / 3N - 50 Hz
Net Height [mm]	290		

Technical data sheet



Technical drawing

Pasta cooker		
Model	SAP Code	00015075
VT 60 EL 6 kW	A group of articles - web	Pasta cookers and Bain Marine



Technical data sheet



Technical parameters

Pasta cooker		
Model	SAP Code	00015075
VT 60 EL 6 kW	A group of articles - web	Pasta cookers and Bain Marine

1. SAP Code:

00015075

2. Net Width [mm]:

658

3. Net Depth [mm]:

609

4. Net Height [mm]:

290

5. Net Weight [kg]:

16.00

6. Gross Width [mm]:

725

7. Gross depth [mm]:

710

8. Gross Height [mm]:

540

9. Gross Weight [kg]:

17.50

10. Device type:

Electric unit

11. Power electric [kW]:

6.000

12. Loading:

400 V / 3N - 50 Hz

13. Additional information:

Baskets are not part of the delivery - can be purchased additionally